

Perfect Sheer Installation Instruction



Inside Mount Semi Inside Mount Outside Mount

Recommended Tools

- Screw gun / Drill
- Tape Measure
- Screwdriver
- Level
- Pencil



Hardware Included

1. Screws needed for installing

Hardware	Drawing	Usage
#8 x 1 1/4" Hexagon screw		To install bracket
2" Flat head screw		To install safety tension device

2. Hardware for Perfect Sheer

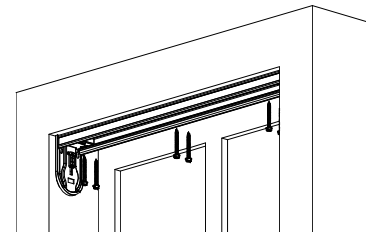
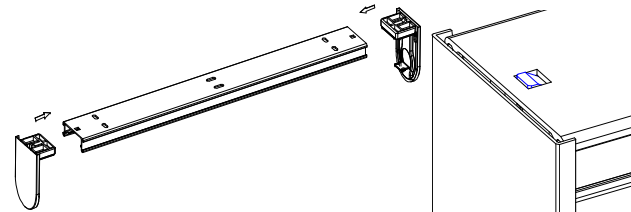
Hardware	Drawing	Usage
Shade bracket		To install shade (on Clutch end/ /Motor end) for Inside Mount, Semi Inside Mount
Shade bracket		To install shade (on End Plug end) for Inside Mount, Semi Inside Mount
Shade bracket		To install shade (on Clutch end/ /Motor end) for Outside Mount
Shade bracket		To install shade (on End Plug end) for Outside Mount
6mm Extension		Used together with Shade Bracket
Middle Mounting Bracket		Used for Outside Mount when width is over 40"
Extension		Optional upon request

Hardware	Drawing	Usage
Valance bracket		To install Fascia / Valance (mounted on raceway)
Valance clip		To install Fascia / Valance (placed on Fascia/Valance)
Curved Fascia end cap		For Curved Fascia
Valance return connector		To connect fabric valance returns
Valance return connector		To connect wood valance returns

Shade Bracket Installation

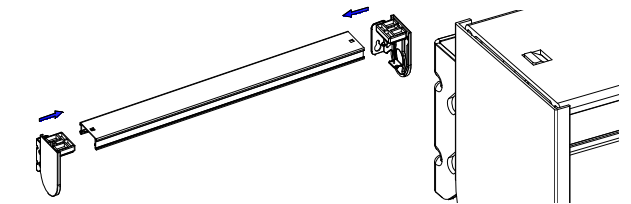
For Inside Mount

Attach the shade brackets and extensions into the two ends of the raceway. Make sure the extension bolt locks into the raceway's dedicated hole. Install the shade and raceway system into the window opening. It is better to screw the middle holes on raceway to make sure the raceway location can be adjusted to left or right, and use level to inspect whether the raceway is level and shim as necessary, after the raceway has been located at proper position, and then screw other screw holes. Taking care that the distance between the front screw and the window edge is at least 3/4"

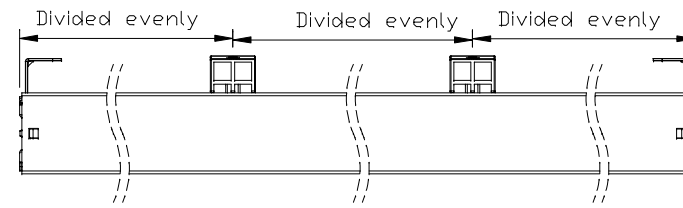
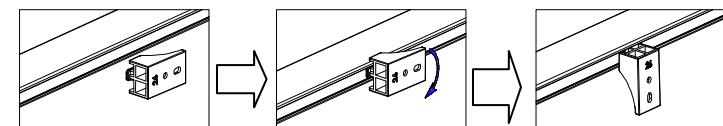


For Outside Mount

Attach the shade brackets and extensions into the two ends of the raceway. Make sure the extension bolt locks into the raceway's dedicated hole. If there is middle mounting bracket, install the middle mounting brackets and then install end installation brackets to the wall. The distance between the screws near by the wall edge to wall edge should be at least 3/4".

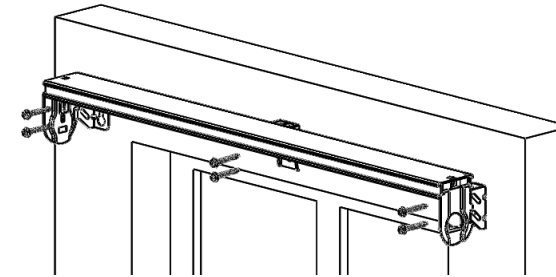


Middle installation brackets:

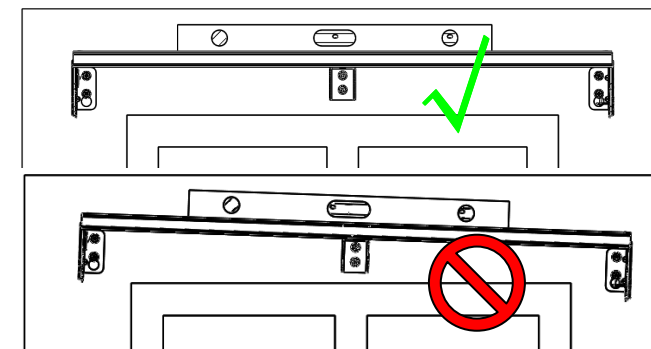


The space between each mounting bracket should be divided evenly as pictured. Middle brackets should be installed before shade brackets on raceway ends.

Install the brackets into the wall:



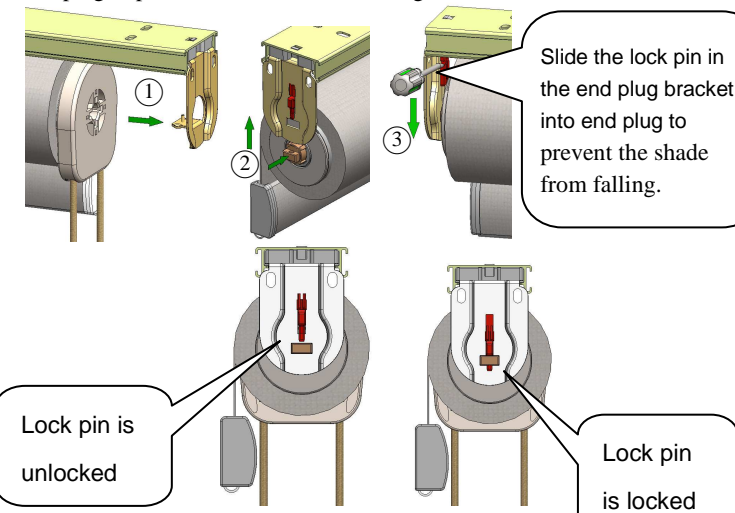
Notes: after installed the middle brackets but before secure the end brackets, use the level to inspect whether the raceway is horizontal, if not, please adjust the position of shade bracket to keep the raceway level, and then screw end brackets.



Shade Installation and Removal

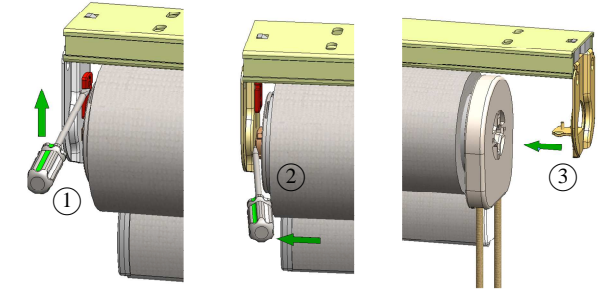
※Installation of Perfect Sheer shade

- ① First, insert the Clutch end/Motor end into the tongue of clutch bracket ;
- ② Second, press the end plug and insert the End Plug end into the hole of bracket of the other side.
- ③ Finally slide the lock pin in the end plug bracket downward into the end plug to prevent the shade from falling.



※Removal of Perfect Sheer Shade with Raceway System

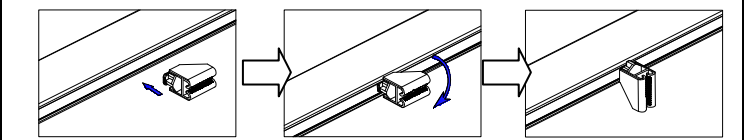
- ① Use a tool to push the lock pin on end plug bracket upward
- ② Use tool to draw back the end plug from bracket
- ③ Finally remove shade from mounting bracket. As shown below.



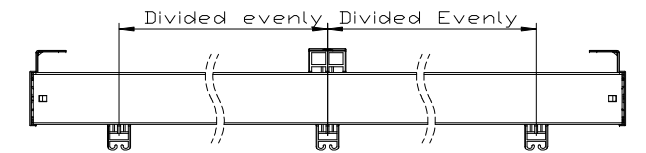
Fascia & Valance Installation and Removal

Valance Bracket Installation

Stick the valance bracket horizontally into the raceway groove and turn 90 degree to lock in the raceway groove. The top groove of the valance bracket should hook onto the top of the raceway while the bracket's bottom groove clips into the bottom rib of the raceway, as shown below.



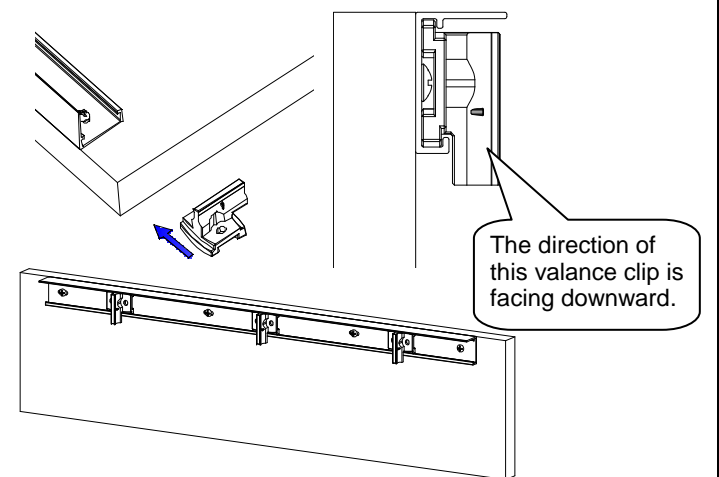
Valance bracket location: distance to ends of the raceway is 3"-6" middle distances are evenly. As drawing shown below:



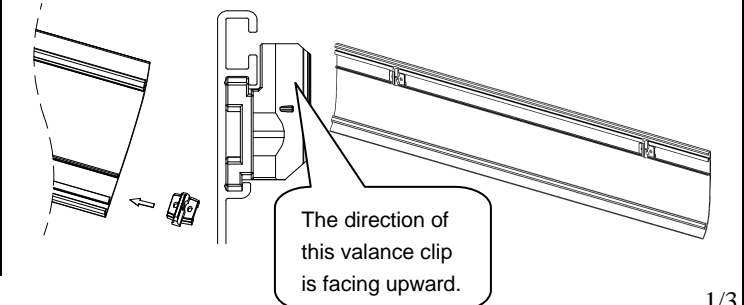
Valance Clip Installation

Insert the valance clip into the dedicated groove on the aluminum strip, paying special attention to the direction the valance clip. For a valance, the valance clip should face downwards. The valance clip location should align with the valance bracket as pictured below.

For Fabric /Wood Valance:



For Fascia:



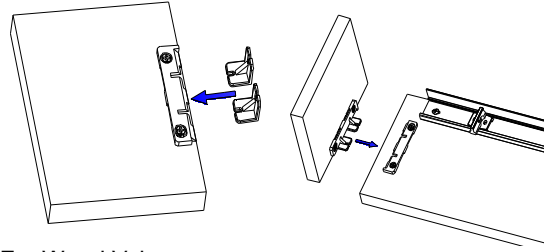
N300816

Attach Valance Return to Valance

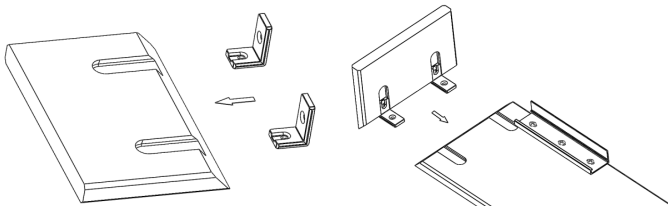
Note: please skip this step if there is no return.

- first insert valance return connector to return.
- then attach return to valance

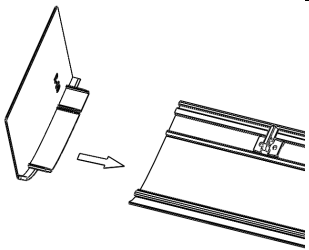
For Fabric Valance



For Wood Valance:



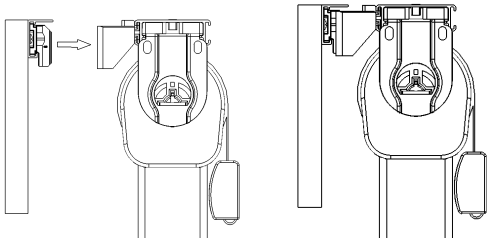
Attach Fascia End Cap to Fascia



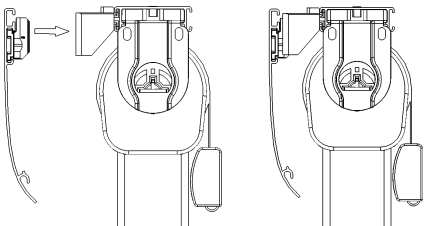
Attach Valance /Fascia to Raceway

Slide the valance clips to a position on the valance/fascia so that they are each aligned with a valance bracket on the raceway, and then push the valance clips into the valance bracket.

For Valance:



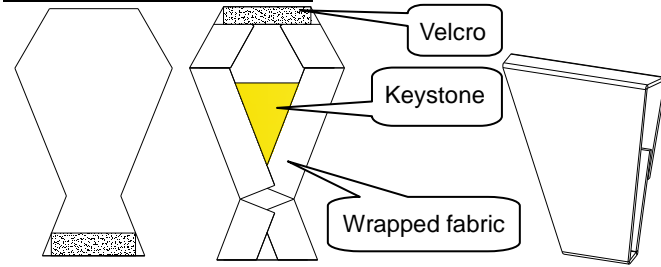
For Fascia:



Valance / Fascia Keystone Installation

Keystones are optional for Wood & Fabric Valances and default for Fascias that require splicing.

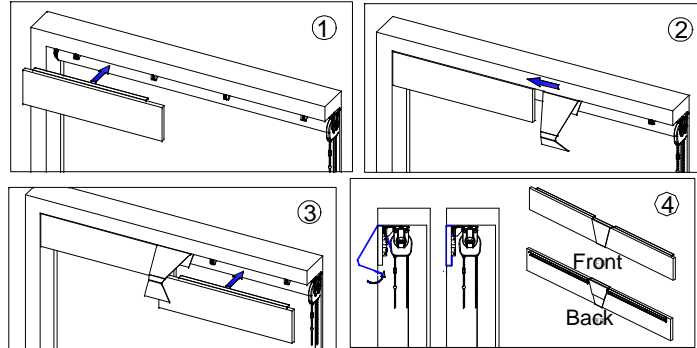
Keystone for Fabric Valance:



➤ For inside mount

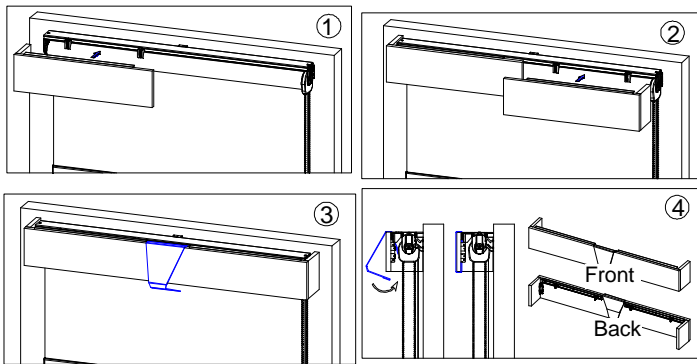
- 1) Firstly attach one piece of Valance to Raceway (as shown drawing ①);
- 2) Secondly insert the top of Keystone into the gap between Valance and window frame (as shown drawing ②);
- 3) And then attach another piece of Valance to the Raceway (as shown drawing ③);
- 4) Finally make the bottom of Keystone go around to the back and stick the Velcro on bottom & top of Keystone together (as shown drawing ④)

Note: spliced valance is composed of two pieces of valance (the left & right ones). The end far away from the Aluminum Strip is the joint of these two pieces of Valance.

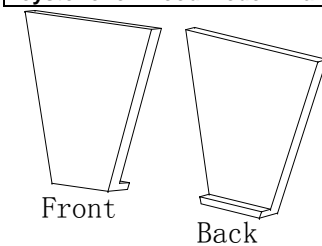


➤ For outside mount

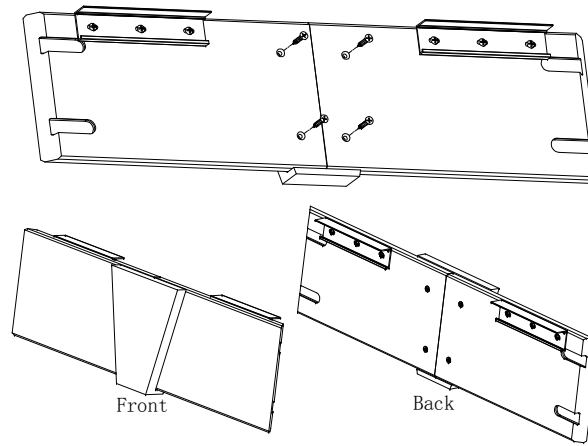
- 1) Attach each piece of valances to the raceway, as shown in drawings ① & ②
- 2) Place the keystone onto the joint where the two valance pieces meet then wrap the top and bottom flaps of the keystone around the top and bottom edges of the valance, as shown in drawing ③
- 3) Lastly, secure the keystone onto the valance with the included Velcro by affixing it toward the top and bottom of the keystone, as shown drawing ④



Keystone for Wood Modern Valance



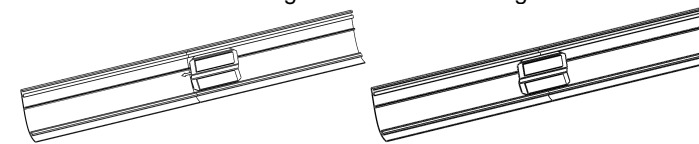
- Place the end of two pieces of Valance on the center of Keystone and use 4 screws to secure Valance on the Keystone. As shown below:



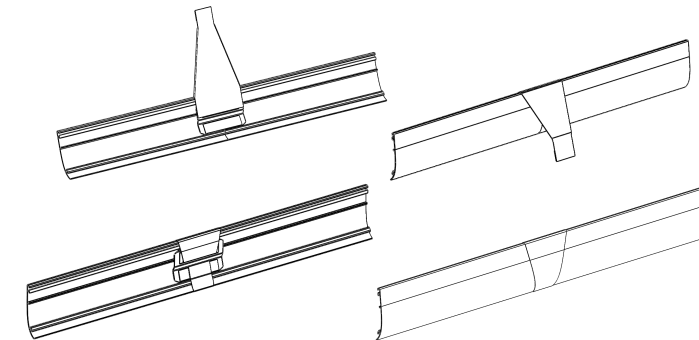
Keystones for Fascia

Connector	Velcro tape	Already attached on back right of left side fascia's right end back
Keystone	Velcro tape	Wrapped around on fascia

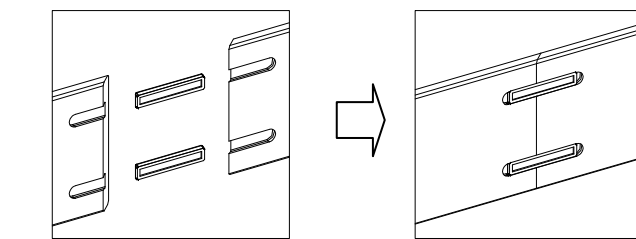
1. Align left and right fascias, slip the connector from left to right fascia to make them being attached. As drawing shown below:



2. Attach the wider end to the connector, as drawing 1,
3. wrap the keystone around front to back, attach the bottom narrower end to connector.

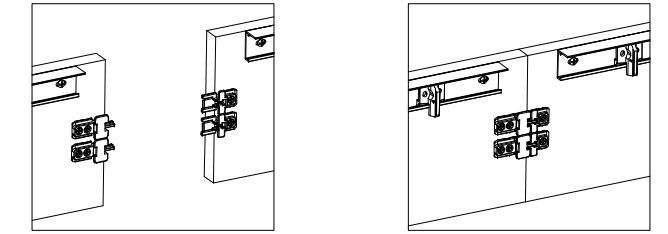


Wood Valance connector



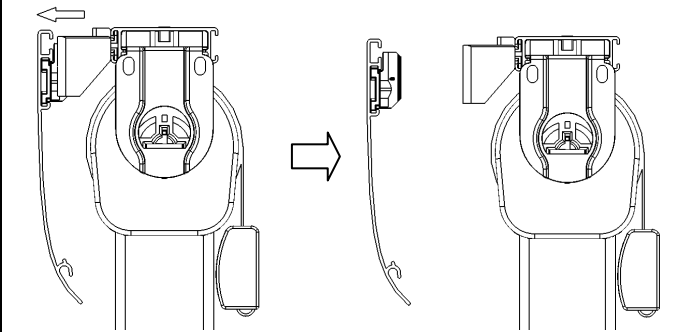
Wood Modern Valance

Fabric Valance connector

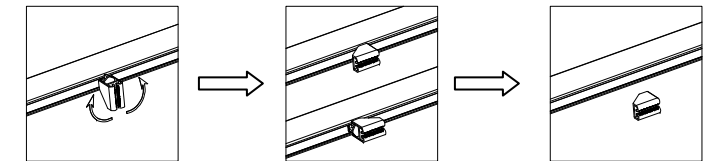


Valance/Fascia Removal

- First, remove Valance/Fascia together with valance clip from valance bracket.



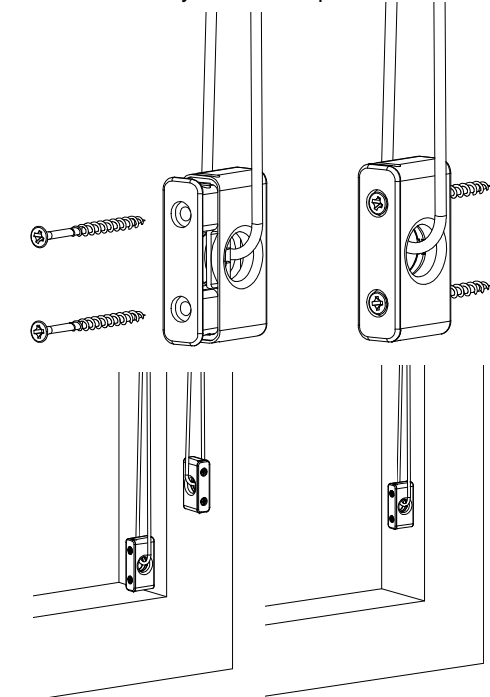
- Take down shade from mounting bracket before removing valance Bracket from raceway
Turn the valance bracket 90 degree then take off valance bracket from raceway, as shown below



Note: The installation & removal for all fascias & valances are the same.

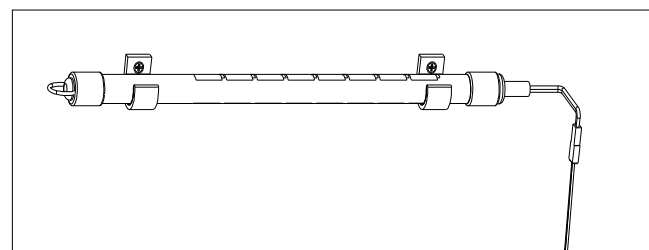
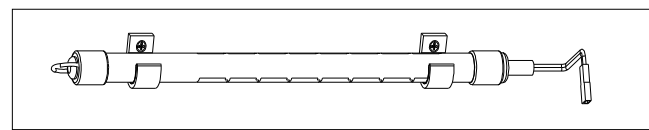
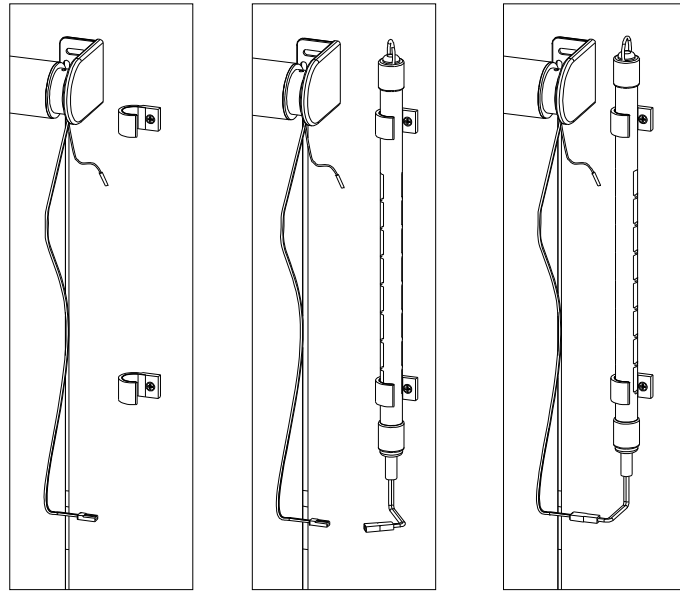
Install Safety Tension Device

Use two 2" flat screws to install the safety device
The cord should be fully extended upon installation of the device

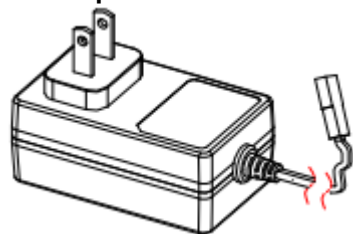


Battery Wand Installation

Battery wands for motorization can be installed horizontally or vertically. They easily install with the affixing of two battery wand clips, both of which should be lined up with each other on the wall so that the battery wand can easily snap into place. Each wand requires 8 AA batteries (not supplied). If your motorization package has the optional AC adapter, it plugs into the motor wire lead directly in place of the battery wand.

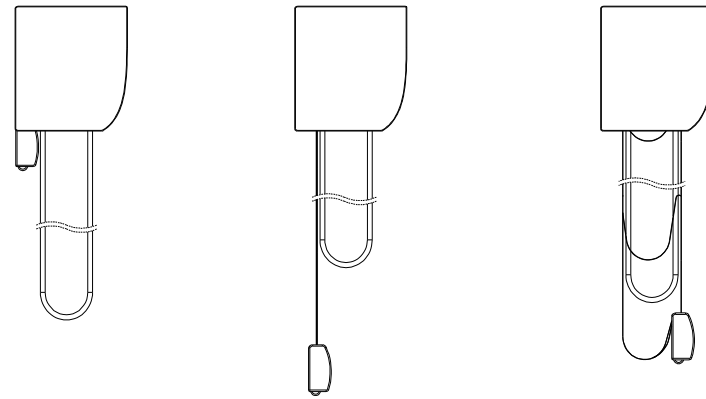


AC adapter



Perfect Sheer Shade Operation

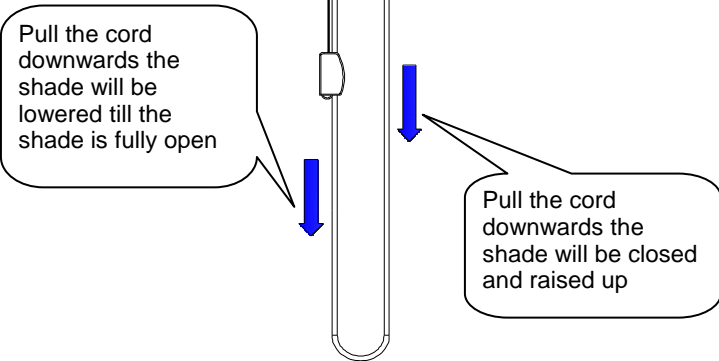
Continuous Cord Loop Operation



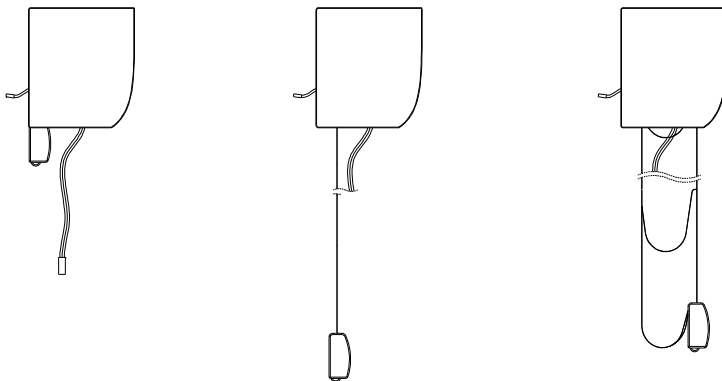
Top Limit
(Fully raised)

Shade full height
(Order height)
Vanes closed

Bottom Limit
(Fully raised)
Vanes open



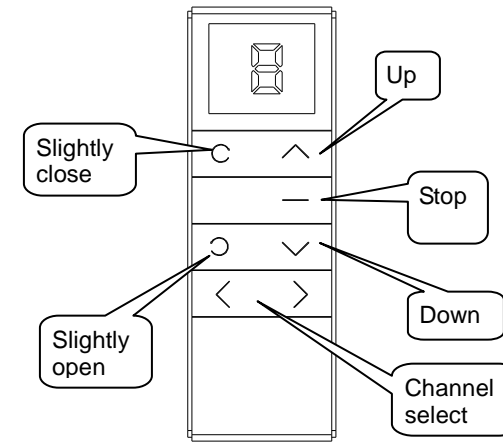
Motorization Operation



Top Limit
(Fully Raised)

Shade full height
(Order height)
Vanes closed

Bottom Limit
(Fully raised)
Vanes open



Remote Control:

Use 1 Lithium cell battery CR2450 (3V) (not supplied).

There are total 15 channels (channel# 1~15) available. The shade will be default pre-program in channel 1 unless specified at the factory before shipping. And the channel 0 is default to operate all.